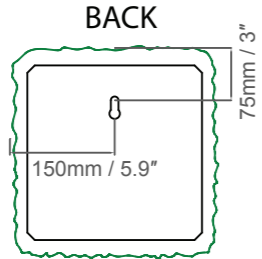
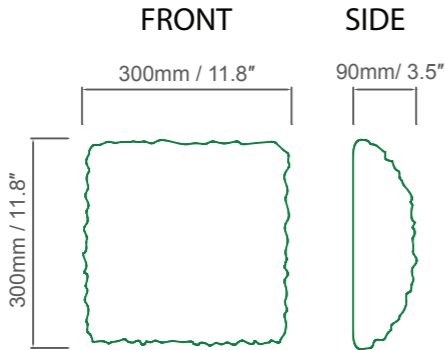
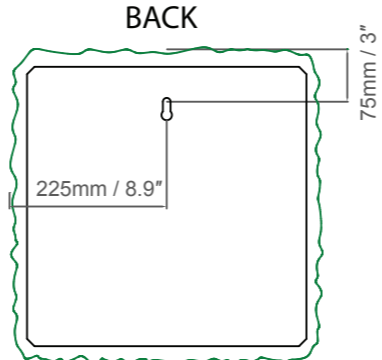
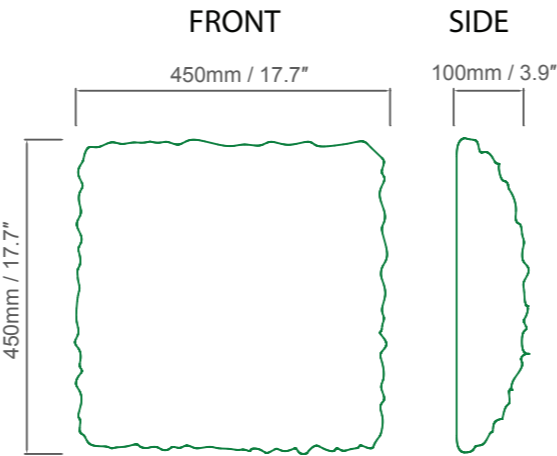


CONVEX SQUARE 30 (C-SQ-30)



CONVEX SQUARE 45 (C-SQ-45)



CONVEX SQUARE 60 (C-SQ-60)

